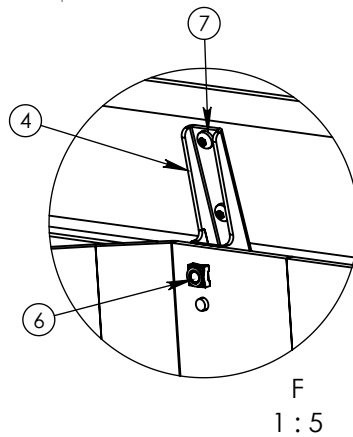
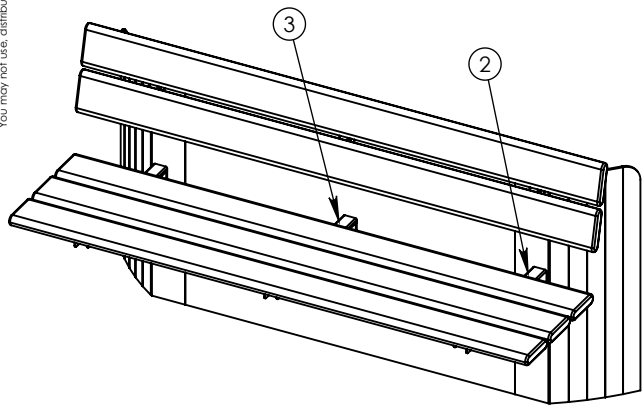
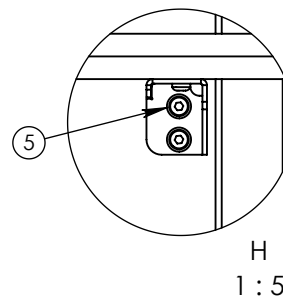
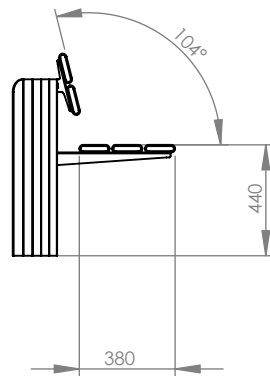
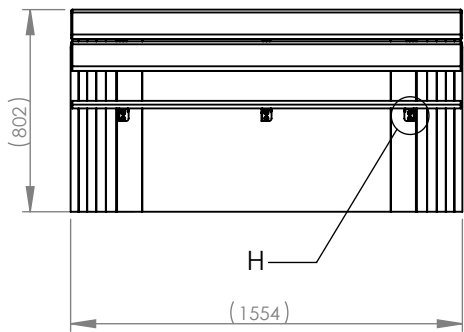
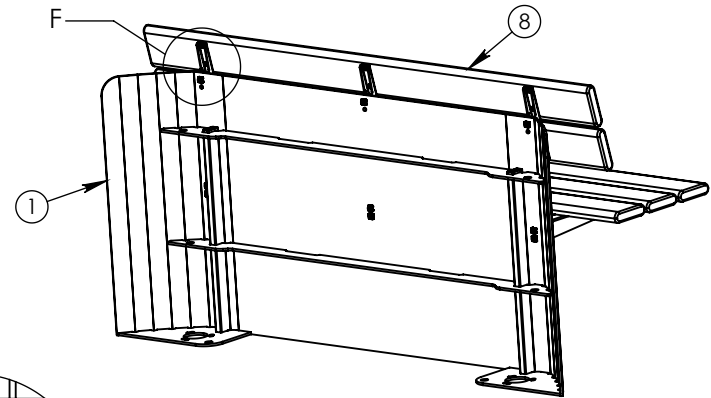
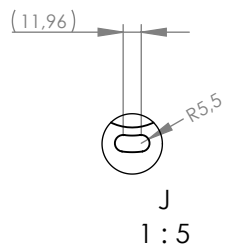
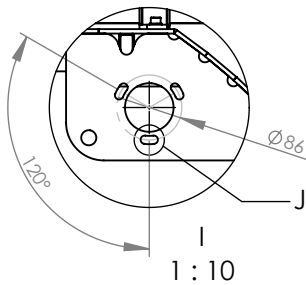
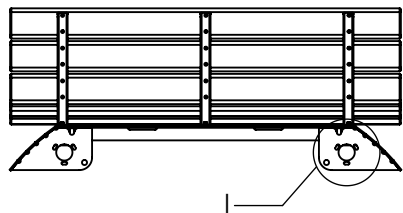


REVISIONS			
REV.	DESCRIPTION	DATE	APPROVED
A	Konstruktion genomgången, typ A/C införda	2021-07-15	MM



ITEM NO.	QTY.	PART NUMBER	DESCRIPTION	Weight
1	1	E5816101	Pile Bench	65.00
2	1	E5816102H	Sitskonsol höger	0.88
3	2	E5816102V	Fästvinkel sits	0.88
4	3	E5816103	Ryggkonsol	0.30
5	6	K101703	BRB M8 8,4x16x1,6 A2	0.00
6	9	K203724	MC6S M8x16 A4	0.01
7	30	K2530	RTS A2 6,3x25	0.01
8	5	T5816101	Trä Pile bench	1.79



PO Box 49 Tåsen
0801 Oslo
Norway
tel: +47 23 00 78 41
tel: +47 23 00 78 40
post@vestre.com
www.vestre.com

Product series

Habitats

Designed by

Engineer

Mattias Magnusson

Approved by

MM

Part Number

5816-901A

Description

Pile Bench Typ A

Total weight

77.87 kg

Date

2021-07-15

Surface area

5615614.33 mm²

Scale

1:20

Sheet size

A4

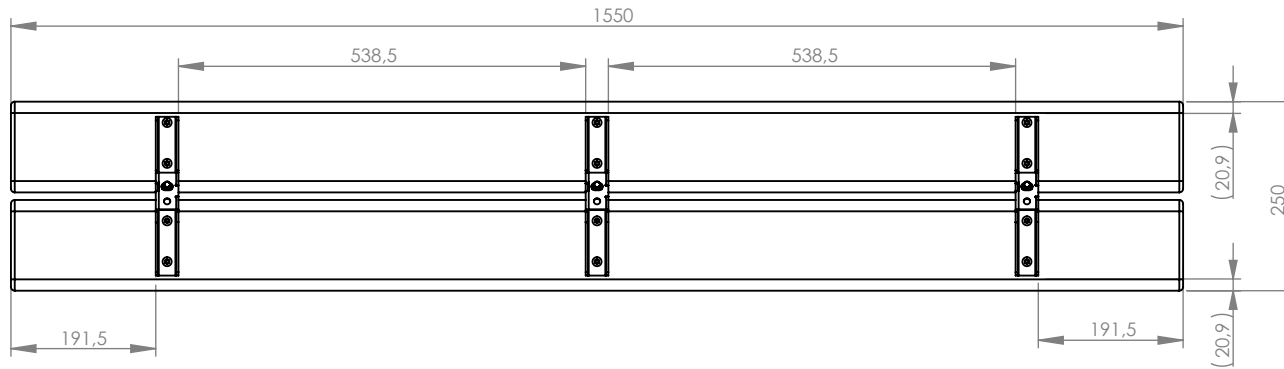
Sheet number

1/2

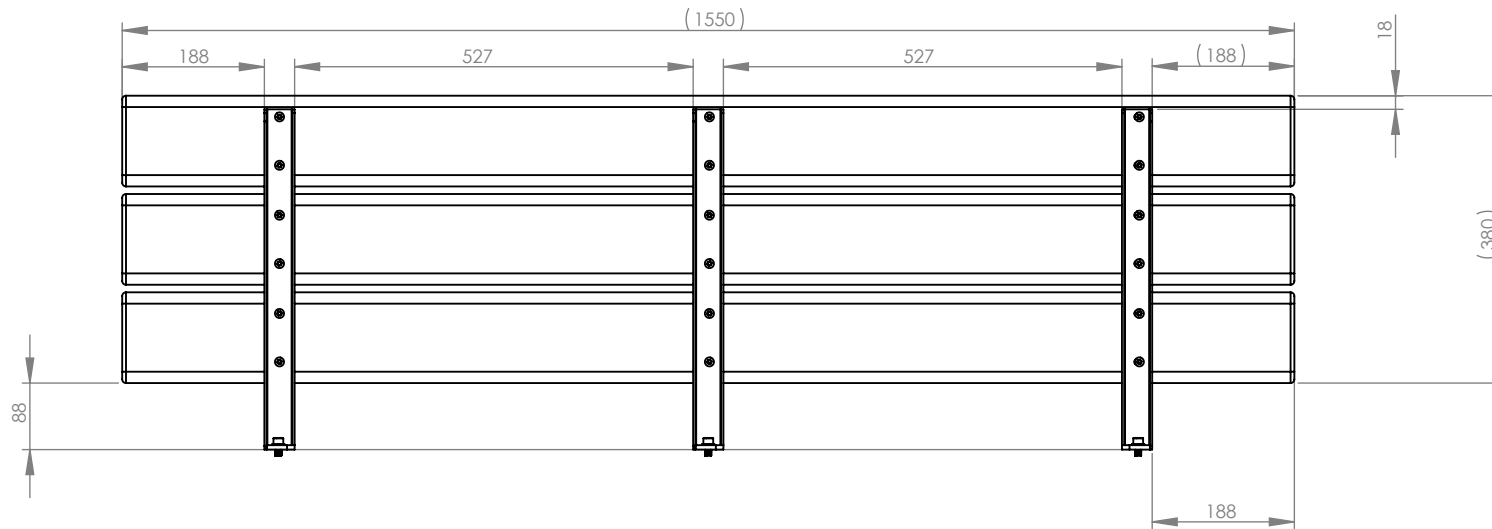


All designs, drawings and pictures are the intellectual property of Vestre and are protected by Norwegian and international copyright laws. You may not use, distribute, modify, reproduce or otherwise exploit Vestre's designs, drawings and pictures without prior express consent by Vestre.



Rygg



Sits



All designs, drawings and pictures are the intellectual property of Vestre and are protected by Norwegian and international copyright laws. You may not use, distribute, modify, reproduce or otherwise exploit Vestres designs, drawings and pictures without prior express consent by Vestre.

	PO Box 49 Tåsen 0801 Oslo Norway tel: +47 23 00 78 41 tel: +47 23 00 78 40 post@vestre.com www.vestre.com	Product series Habitats	Part Number 5816-901A	Surface area 5615614.33 mm²
	Designed by Mattias Magnusson	Description Pile Bench Typ A		
	Engineer MM	Total weight 77.87 kg	Scale 1:20	
	Approved by MM	Date 2021-07-15	Sheet size A4	