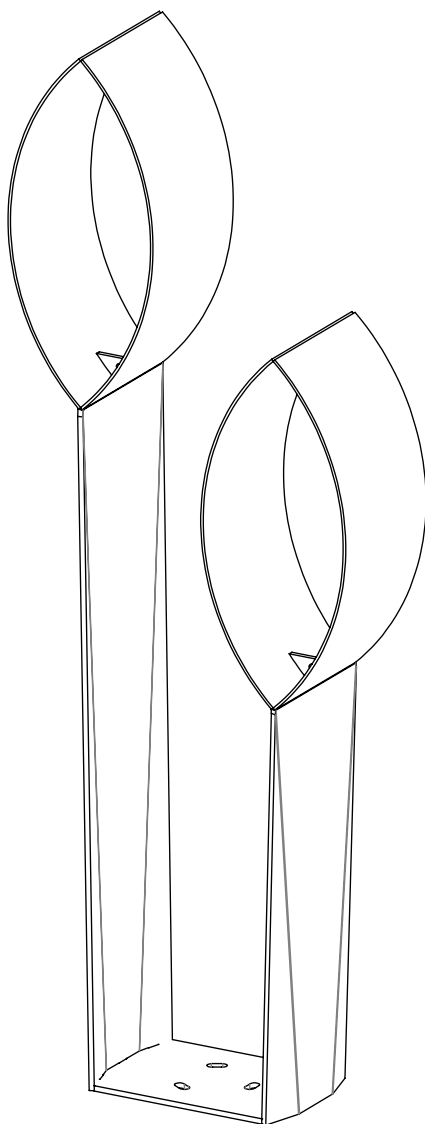


vestre

# Habitats

Insect hotel

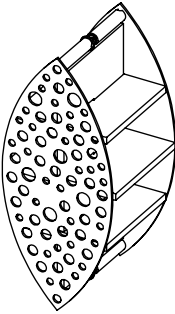
Article no: 5905A & 5905C



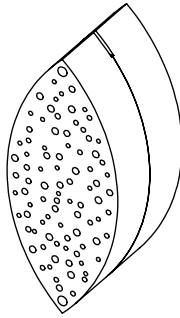
18-24 Kg

[www.vestre.com](http://www.vestre.com)

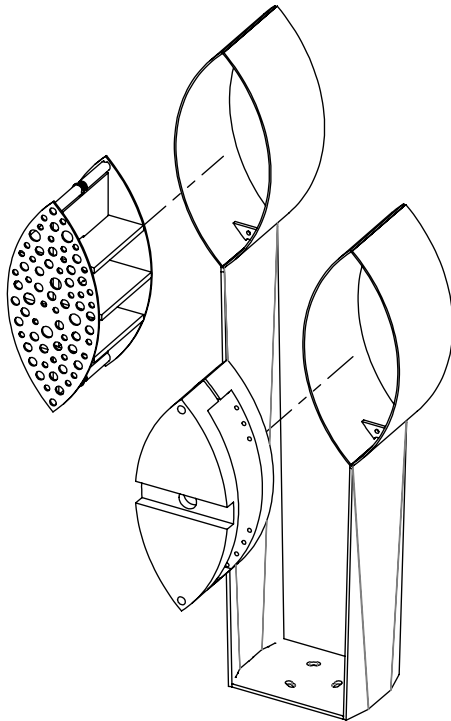
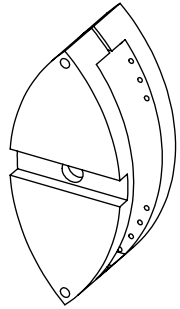
Article no:  
5904



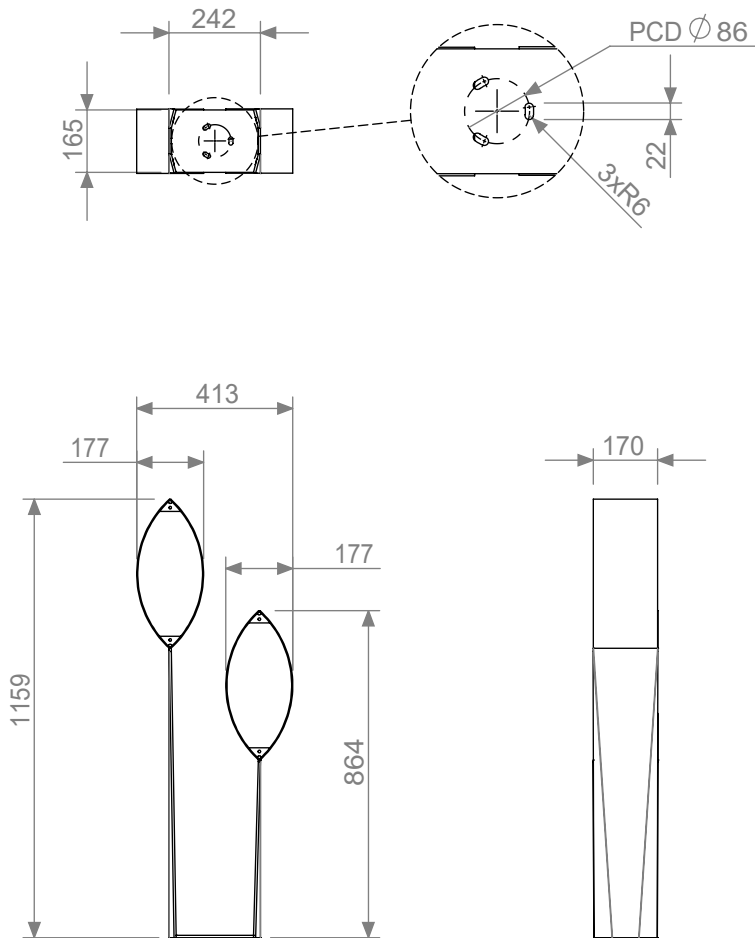
Article no:  
5906



Article no:  
5907



5905A - Baseplate  
Weight: 18Kg



5905C - Casting  
Weight: 24Kg

